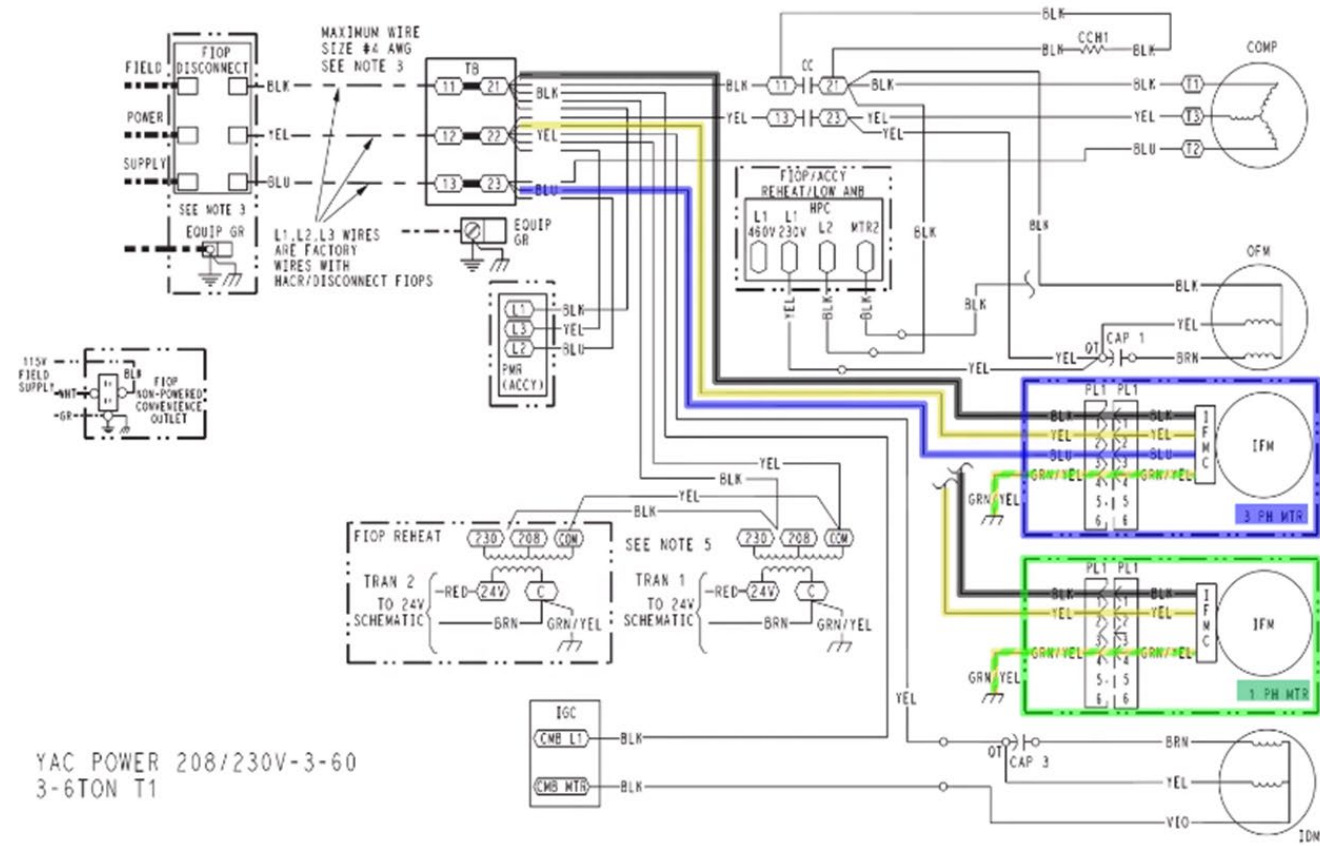


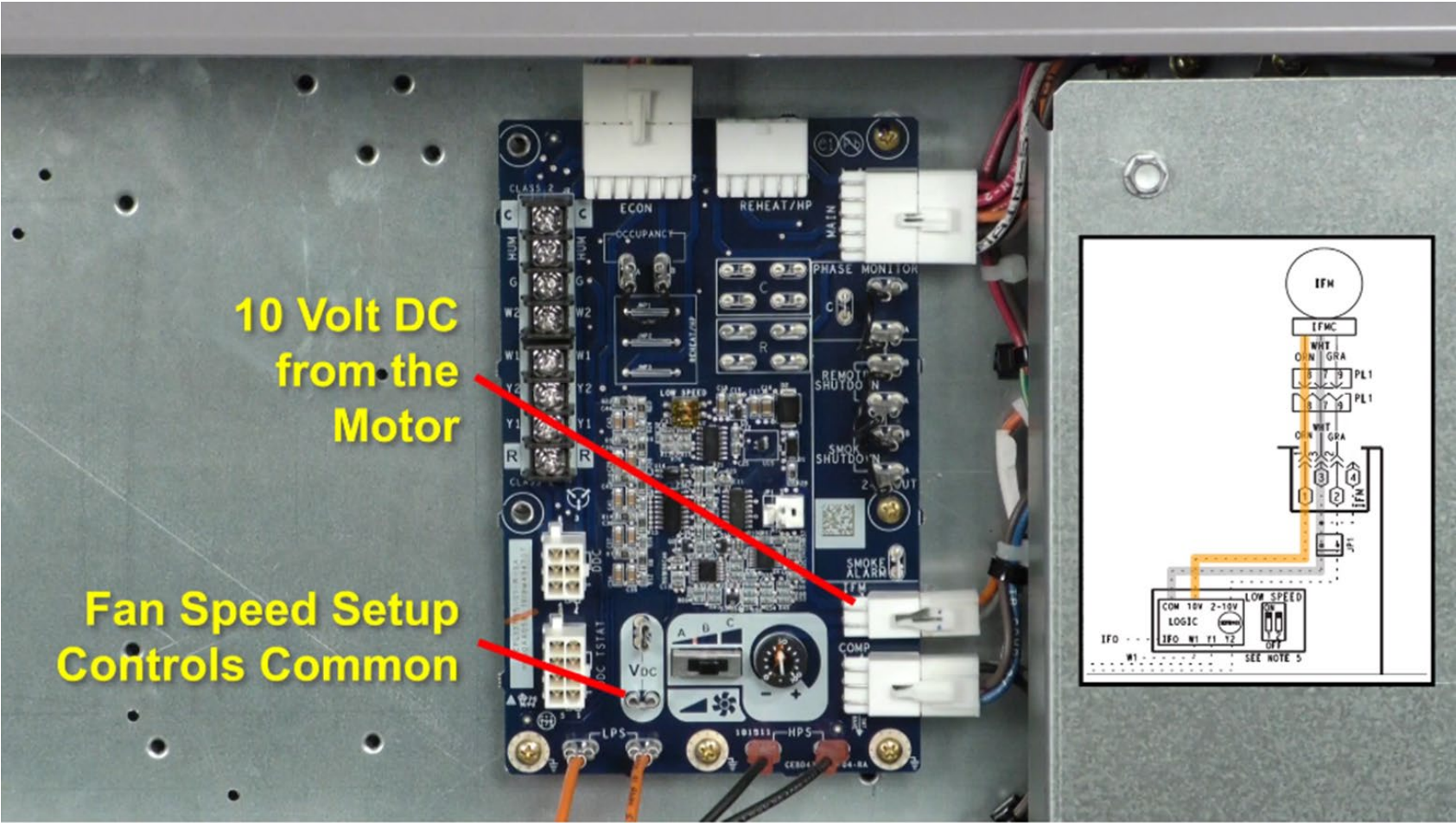
# 48/50 FC GC Indoor Fan Motor Troubleshooting



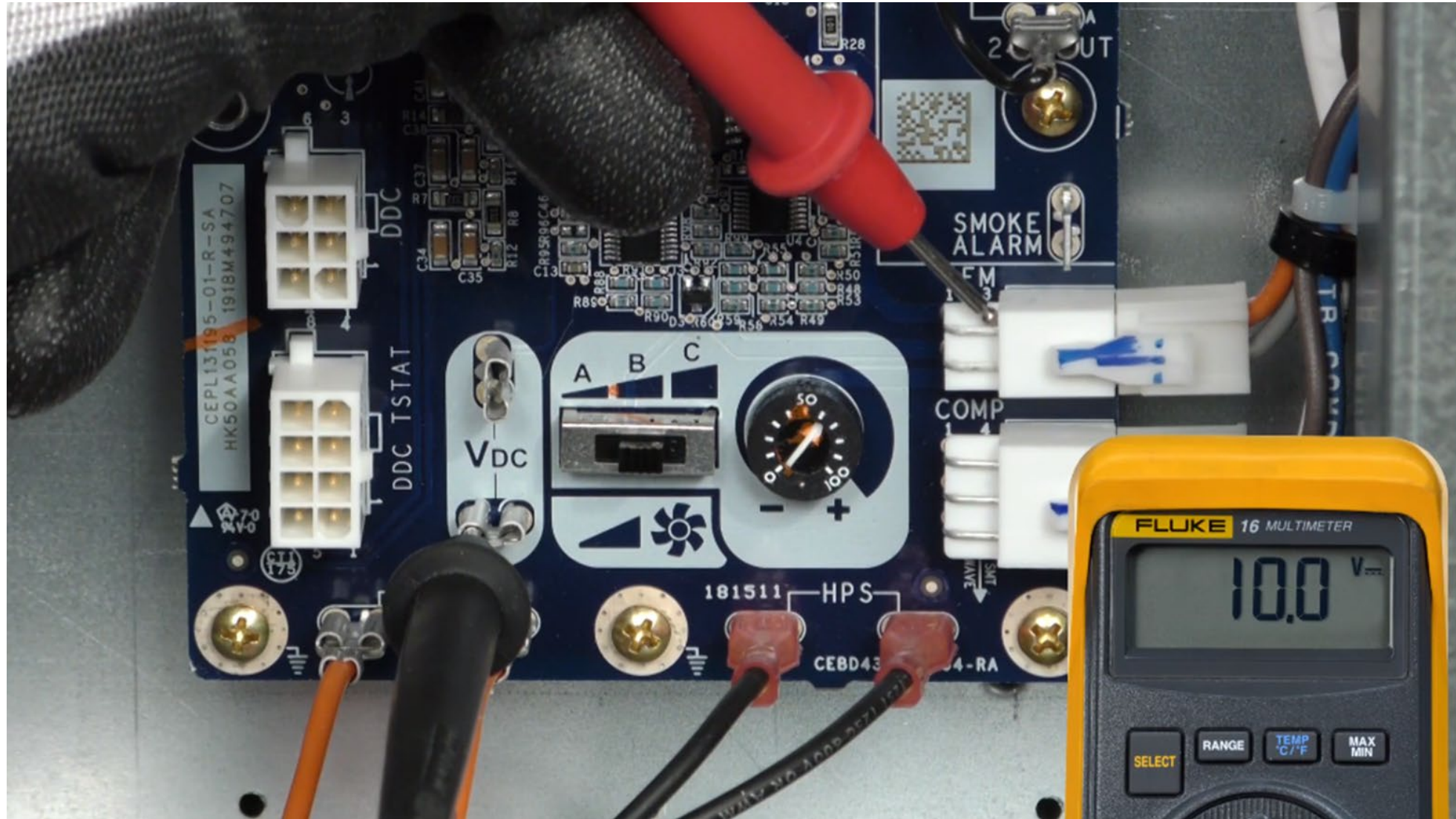
# ECO BLUE AXIAL FAN TROUBLESHOOTING



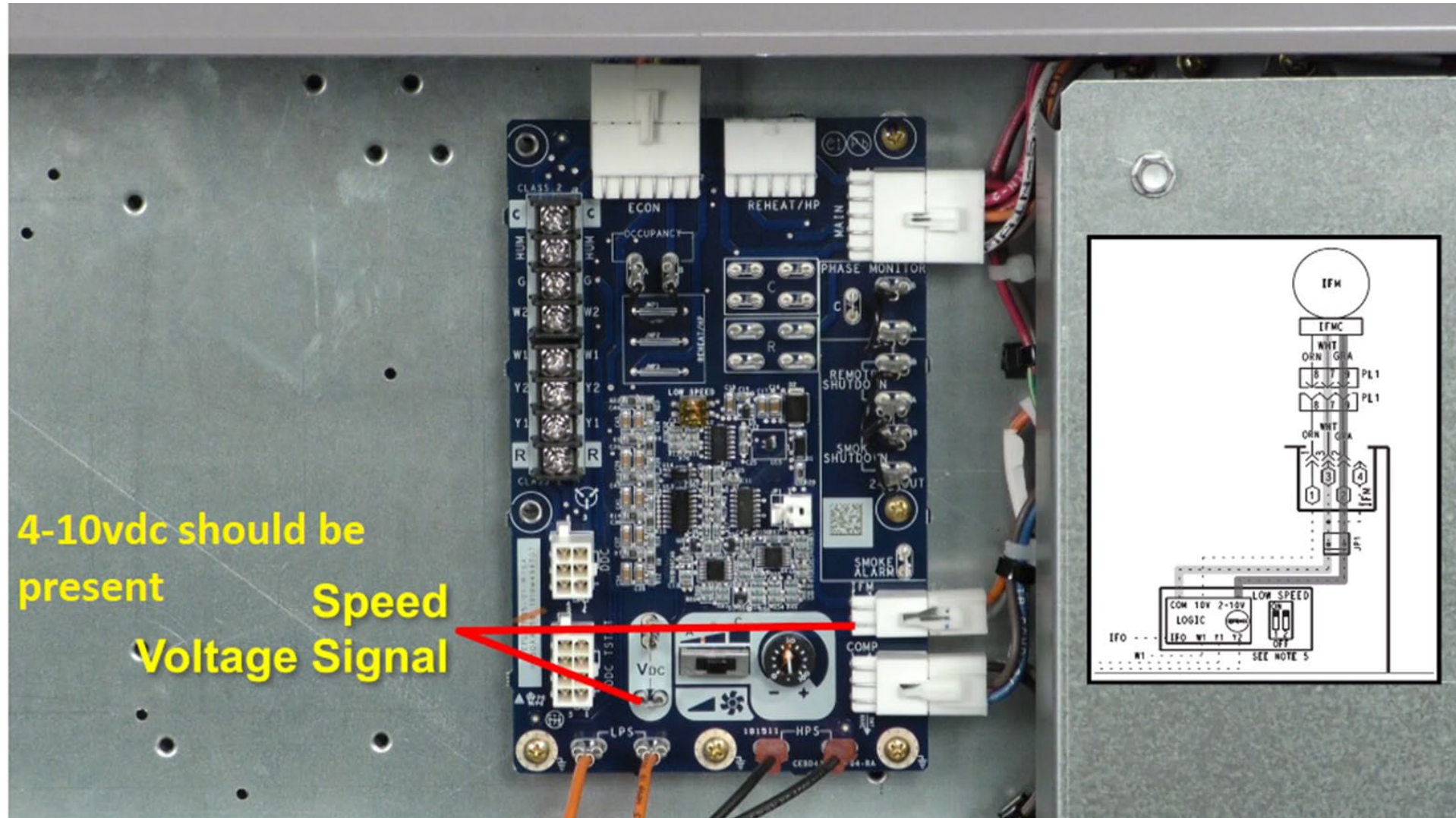
# ECO BLUE AXIAL FAN TROUBLESHOOTING



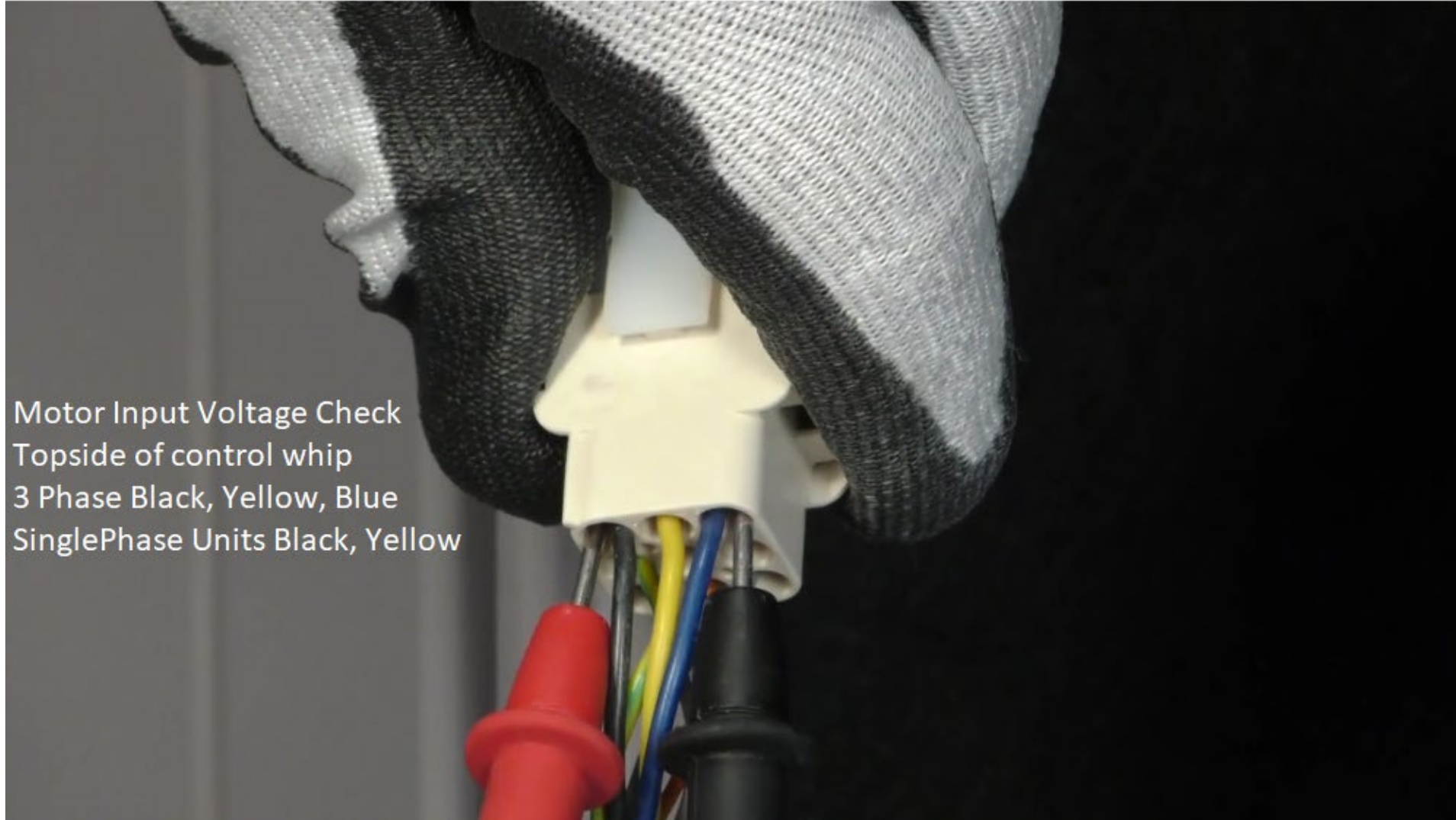
# ECO BLUE AXIAL FAN TROUBLESHOOTING



# ECO BLUE AXIAL FAN TROUBLESHOOTING

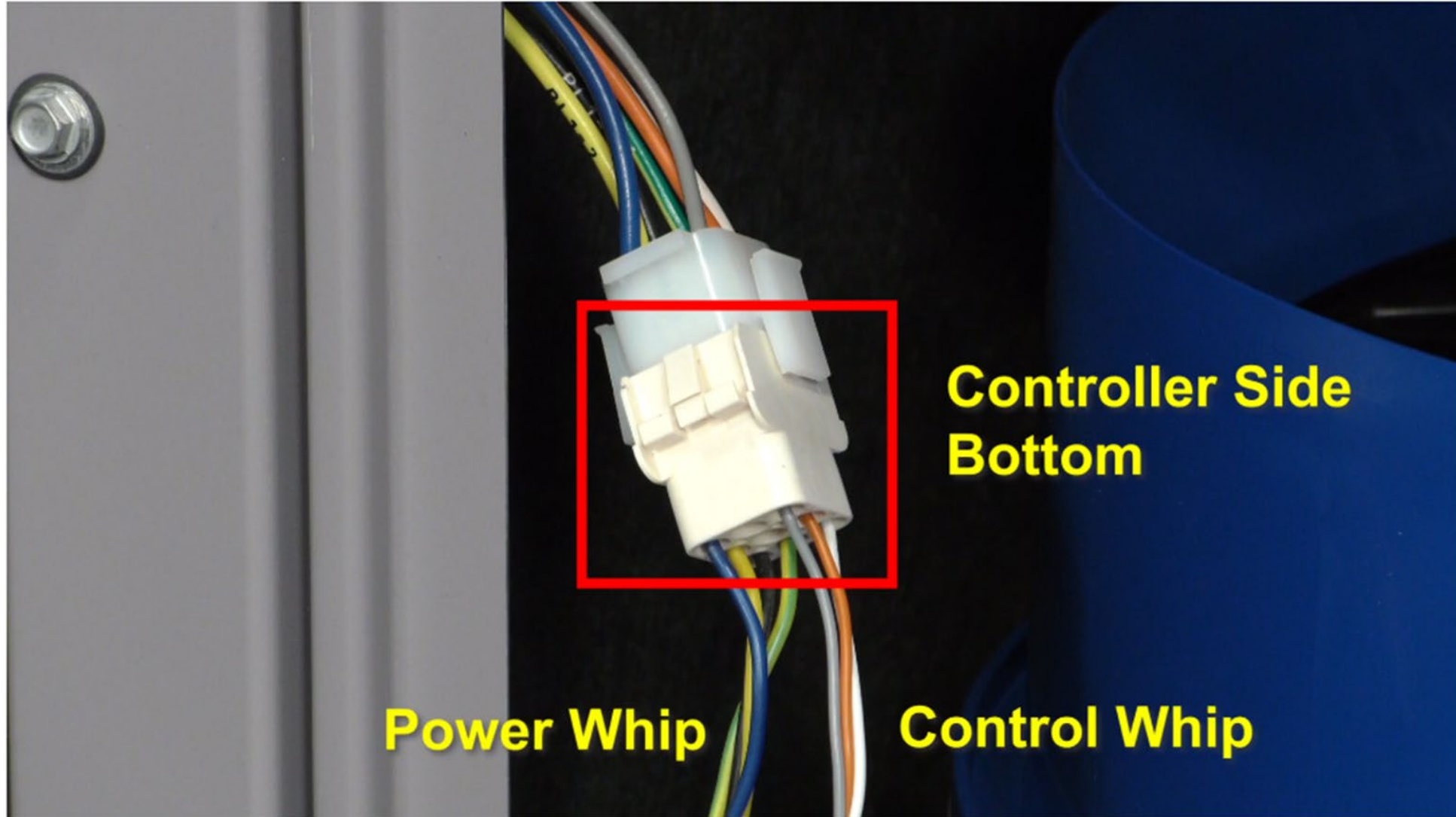


# ECO BLUE AXIAL FAN TROUBLESHOOTING



Motor Input Voltage Check  
Topside of control whip  
3 Phase Black, Yellow, Blue  
SinglePhase Units Black, Yellow

# ECO BLUE AXIAL FAN TROUBLESHOOTING

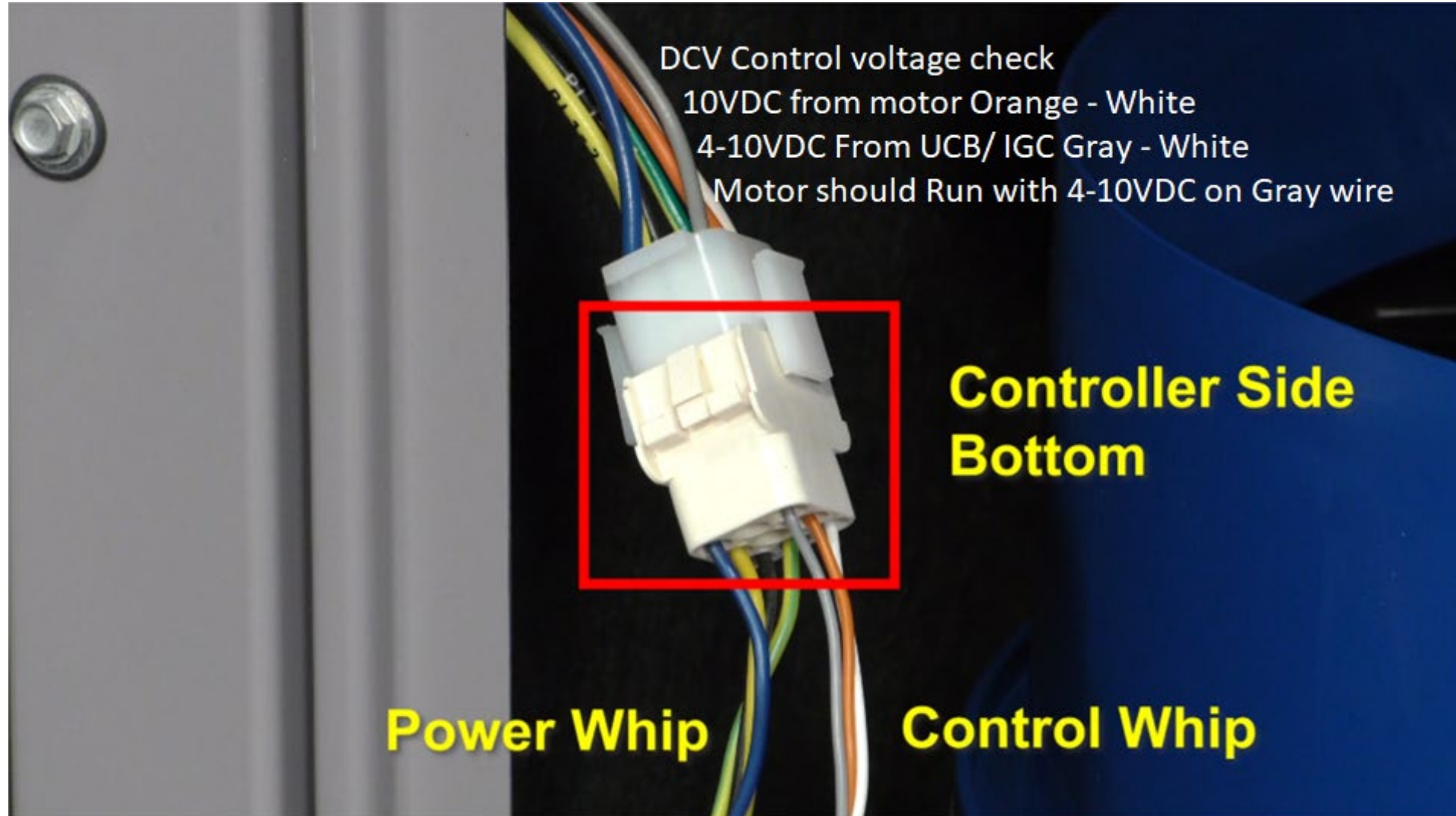


**Power Whip**

**Control Whip**

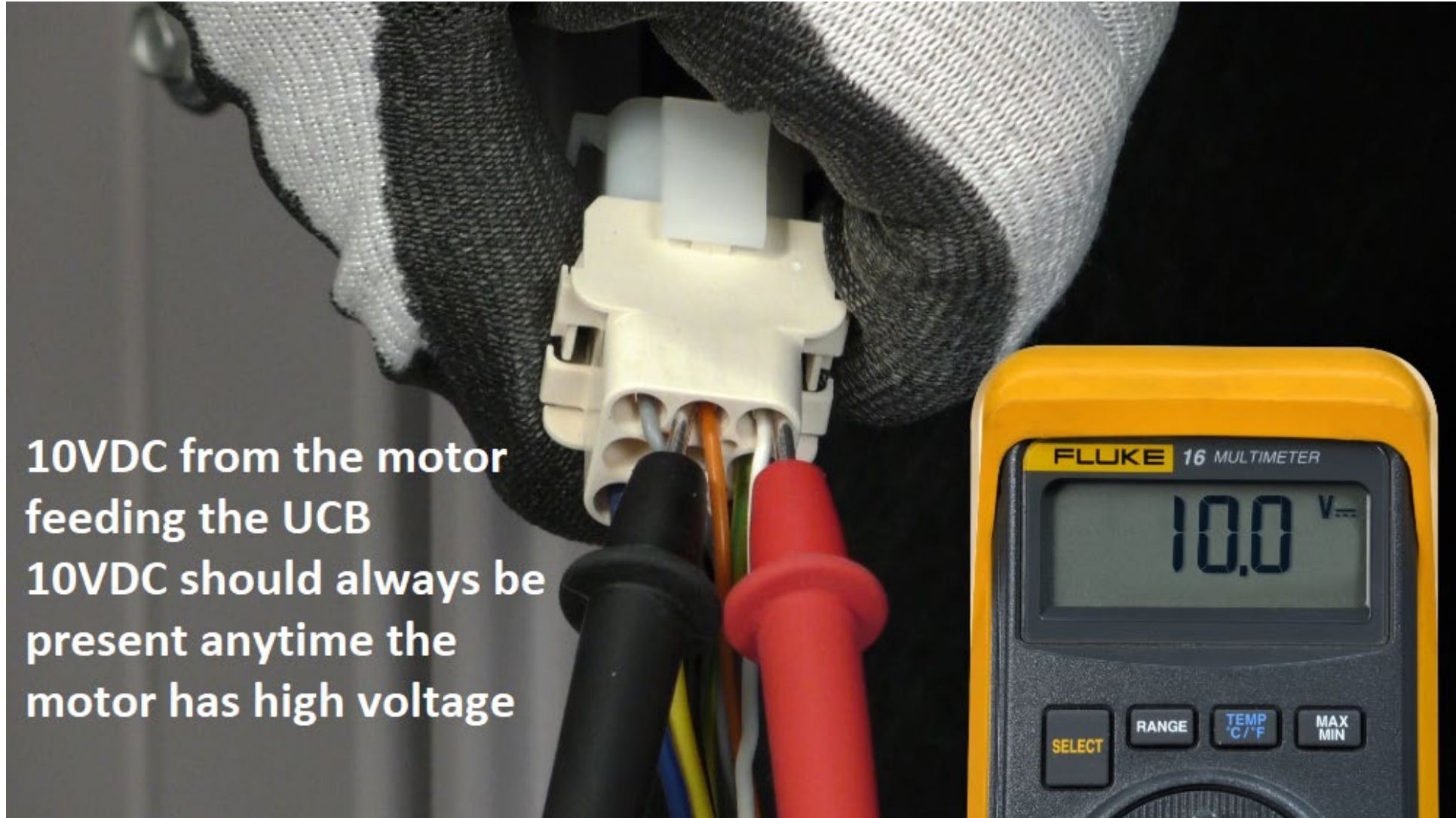
**Controller Side  
Bottom**

# ECO BLUE AXIAL FAN TROUBLESHOOTING





# ECO BLUE AXIAL FAN TROUBLESHOOTING

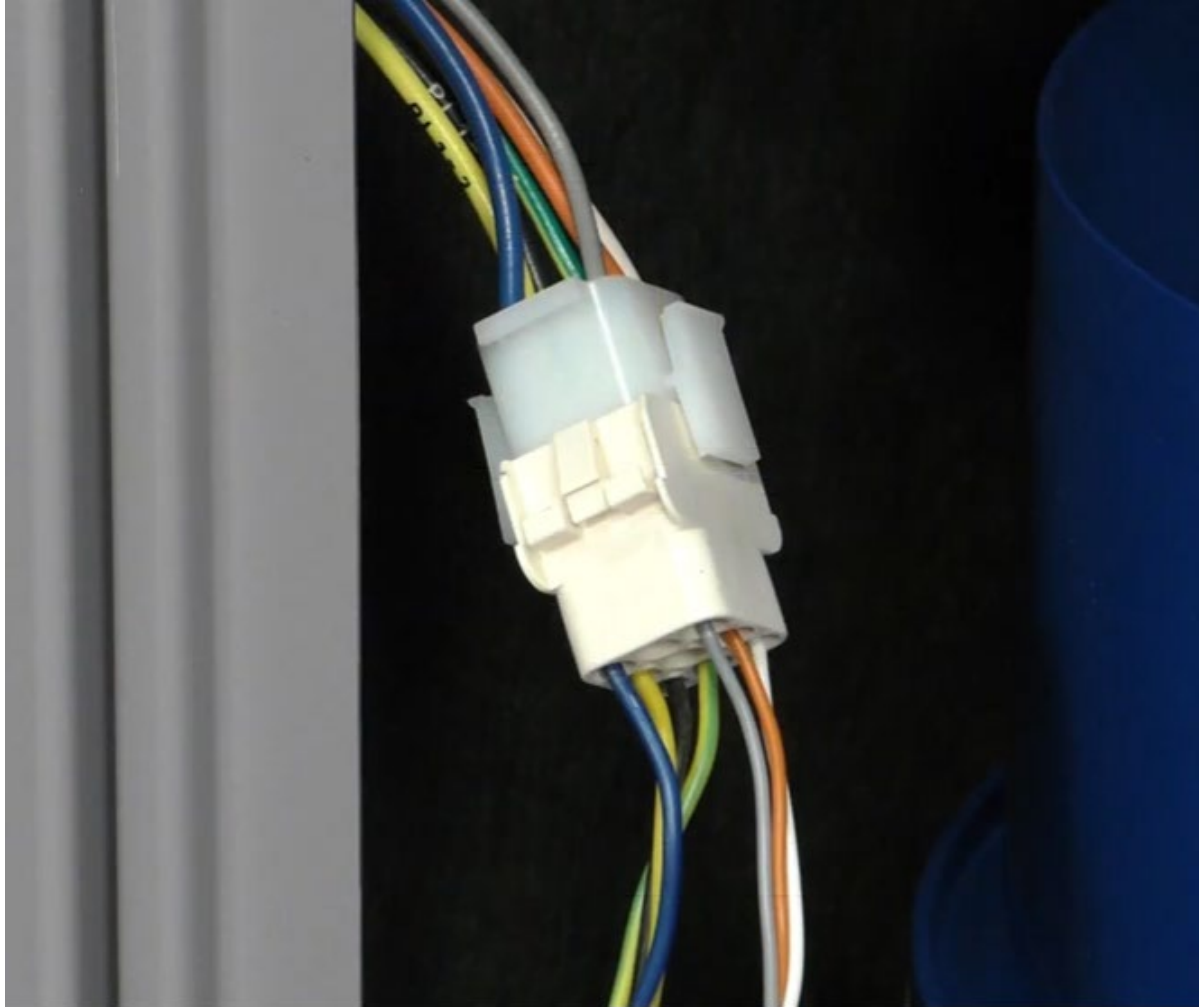


# ECO BLUE AXIAL FAN TROUBLESHOOTING



Motor 4 - 10VDC  
command input from  
the IGC / UCB  
Gray - White wires

# ECO BLUE AXIAL FAN TROUBLESHOOTING



**You Must Have one of these conditions for a failed motor.**

**The motor does not create the 10VDC on the Orange lead with high voltage present.**

**The Motor creates the 10VDC output and a 4-10VDC input is present on the Gray lead and it fails to operate.**

**Thank you**